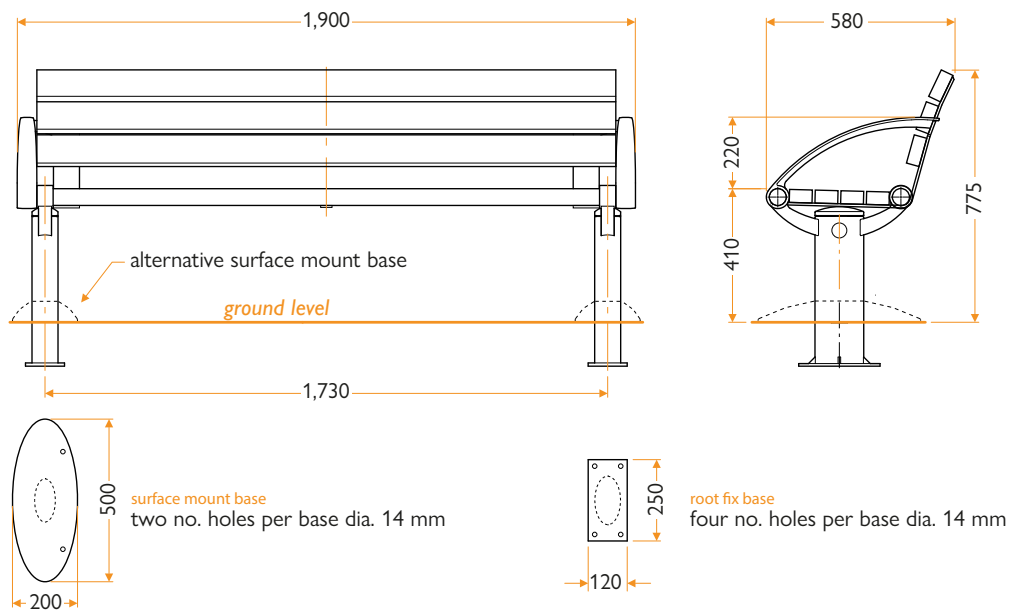




HC2023S *Seat*



Specifications:

- Timber and cast ductile iron seat with stainless steel frame complete with back support and stainless steel side arm rests.
- Length 1900 mm.
- Supports are manufactured from 10 mm cast ductile iron which is more durable than cast iron.
- The ductile iron components are galvanised with polyester powder coat finish, see our colour options. ➔
- The tubing is 316 grade stainless steel in an electro-polished finish (corrosion and salt water resistant).
- Timber slats are 70 x 40 mm and 90 x 40 mm FSC approved mahogany treated with a protective wood stain coating.

Fitting:

Surface Mounted: There are 2 fixing points on each support.

Root Fixed: The root fixing is a a base plate, 130 mm underground level with 4 fixing points on each support.

Concrete Foundations:

Recommended concrete foundation 2100 x 800 x 150 mm.

Options Available:

- Sikkins wood stain can be light oak or dark teak.
- Recycled composite timber.
- Supports can be root fixed or surface mounted.
- Colours.

Specifications:

Length	1900 mm
Width	580 mm
Seating Height	410 mm
Overall Height	775 mm



HARTECAST
Street Furniture