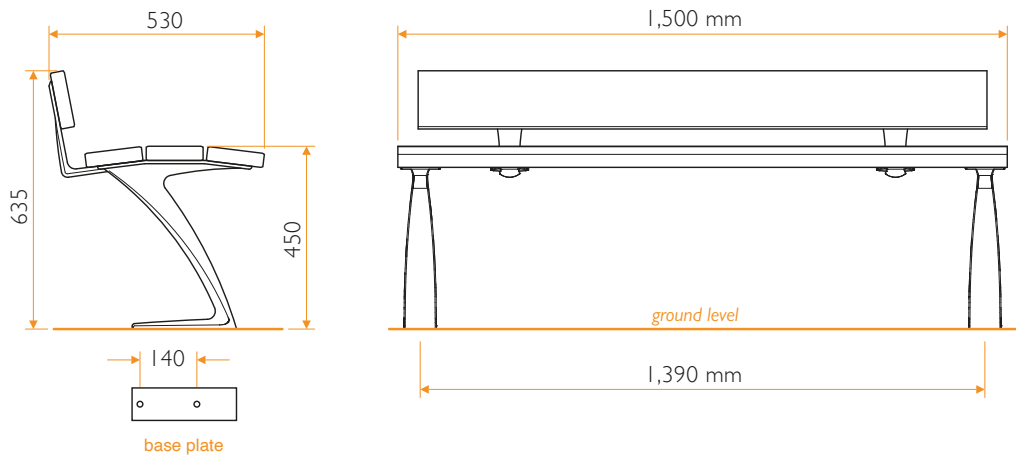




Z SEAT

Colour options



Specifications:

- Timber and cast ductile iron seat with back support.
- Length 1500 mm.
- Supports are manufactured from 10 mm cast ductile iron which is more durable than cast iron.
- The ductile iron components are galvanised with polyester powder coat finish. See our colour options.
- Timber slats are FSC approved mahogany 140 x 40 mm treated with a protective wood stain coating.
- Fixtures and fittings are stainless steel.
- Supports are surface mounted.

Fitting:

Surface Mounted: 4 fixing points on the base for fitting to the ground by means of anchoring bolts.

Concrete Foundations:

Recommended concrete foundation 1800 x 800 x 150 mm.

Options Available:

- Sikkens wood stain can be light oak or dark teak.
- Recycled composite timber (1800 mm only).
- Colours.
- Longer Lengths.
- Also available in a Bench version without back support see Z Bench.

Specifications:

Length	1500 mm
Width	530 mm
Seating Height	450 mm
Overall Height	635 mm



HARTECAST
Street Furniture