

Z BENCH

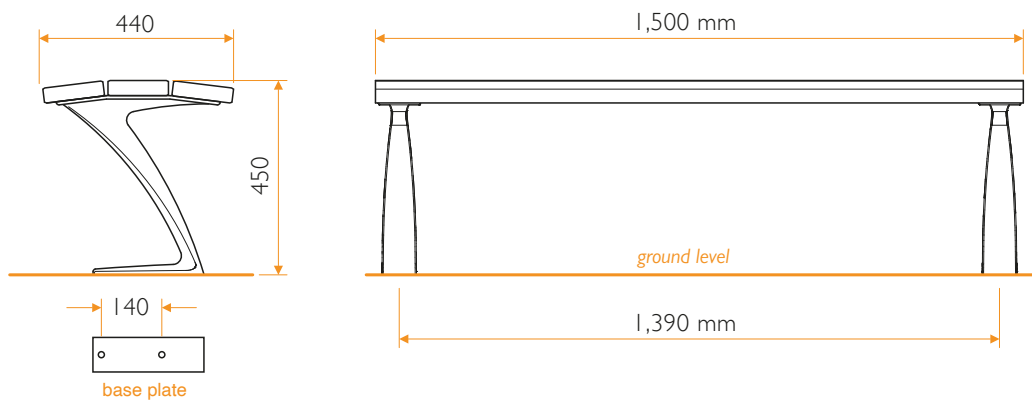


➤ **Z BENCH**

SEAT RANGE



➤ **Colour options**



Specifications:

- Timber and cast ductile iron bench without back support.
- Length 1500 mm.
- Supports are manufactured from 10 mm cast ductile iron which is more durable than cast iron.
- The ductile iron components are galvanised with polyester powder coat finish. See our colour options. ➤
- Timber slats are FSC approved mahogany 140 x 40 mm treated with a protective wood stain coating.
- Fixtures and fittings are stainless steel.
- Supports are surface mounted.

Fitting:

Surface Mounted: 4 fixing points on the base for fitting to the ground by means of anchoring bolts.

Concrete Foundations:

Recommended concrete foundation 1800 x 800 x 150 mm.

Options Available:

- Sikkens wood stain can be light oak or dark teak.
- Recycled composite timber (1800 mm only).
- Colours
- Longer Lengths
- Also available in a Seat version with back support see Z Seat. ➤

Specifications:

Length	1,500 mm
Width	440 mm
Overall Height	450 mm



HARTECAST
Street Furniture

www.hartecast.com E: info@hartecast.com IRL T: +353 (0)51 424922 UK T: +44 (0)161 820 6906