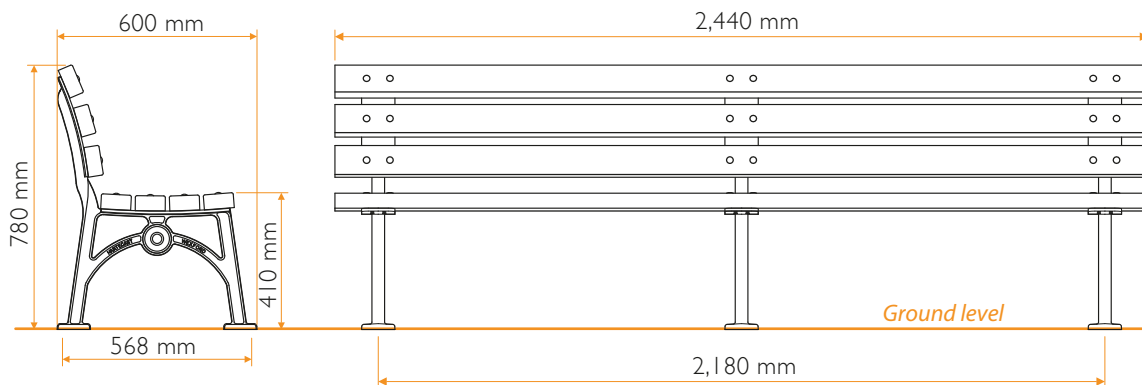




Hyde Park Seat 8ft



Specifications:

- Timber and cast iron seat with back support.
- Length 2440 mm.
- Supports are manufactured from cast iron.
- The cast iron components are pre treated with zinc rich primer and polyester powder coated. See our colour options. ➤
- Timber slats are 90 x 40 mm FSC approved mahogany treated with a protective wood stain coating.
- Fixtures and fittings are stainless steel.
- Supports are surface mounted.

Fitting:

The 8ft Hyde Park Seat has 6 anchoring points.

Concrete Foundations:

Recommended concrete foundation 2600 x 800 x 150 mm.

Specifications:

Height	780 mm
Width	600 mm
Length	2440 mm



HARTECAST
Street Furniture