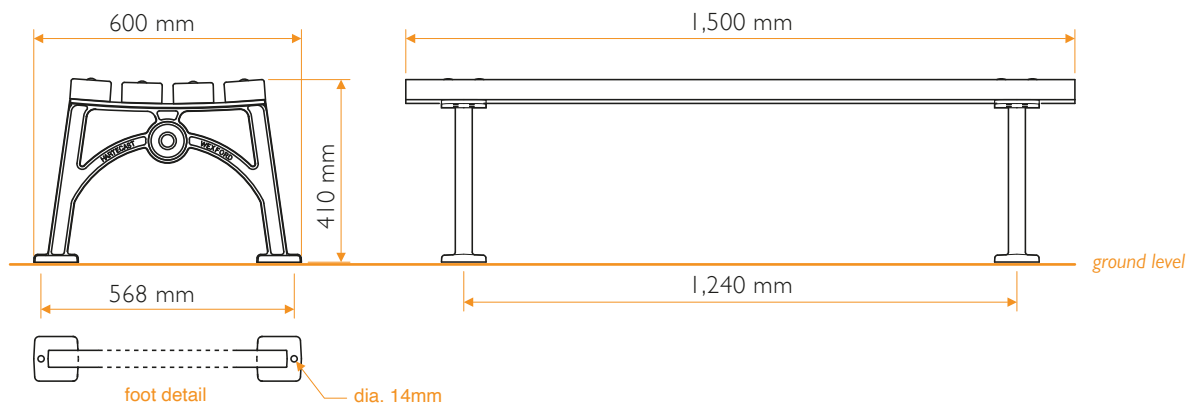


HYDE PARK Bench 5ft

SEAT RANGE



► Hyde Park Bench 5ft



Specifications:

- Timber and cast iron bench without back support.
- Length 1500 mm.
- Supports are manufactured from cast iron.
- The cast iron components are pre treated with zinc rich primer and polyester powder coated. See our colour options. ►
- Timber slats are 90 x 40mm FSC approved mahogany treated with a protective wood stain coating.
- Fixtures and fittings are stainless steel.
- Supports are surface mounted.

Fitting:

5ft Hyde Park Bench has 4 anchoring points.

Concrete Foundations:

Recommended concrete foundation 1800 x 800 x 150 mm.

Options Available:

- Sikkens wood stain can be light oak or dark teak.
- Recycled composite timber version available in 1800mm version.
- Colours.
- Also available in 8ft version, see Hyde Park Bench 8ft. ►

Specifications:

Height	410 mm
Width	600 mm
Length	1500 mm



HARTECAST
Street Furniture