

# HC2090 CYCLE STAND



➤ **HC2090 Cycle Stand**

## CYCLE STAND RANGE



➤ **Colour options**

### Specifications:

- Stainless steel curved cycle stand with cast stainless steel angled cap and painted upright.
- 316 grade stainless steel.
- Vertical pipe is 108 mm dia with a 4 mm thickness and curved pipe is 50 mm with a 2 mm thickness.
- 900 mm overground level and 300 mm underground level.
- Vertical pipe is polyester powder coat finished, see our colour options. ➤

### Fitting:

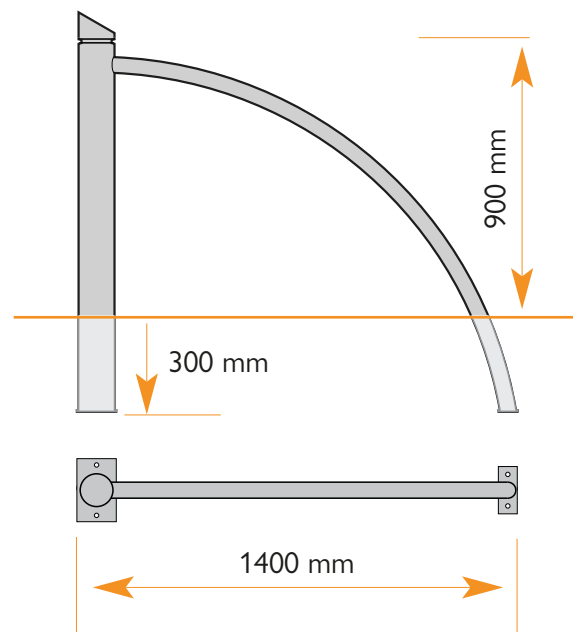
Root fixed underground level in concrete.

### Concrete Foundations:

Recommended concrete foundation 400 x 400 x 150 mm per support.

### Options Available:

- Base plates available.
- Retention sockets available.
- Colours.
- Matches HC2067 Bollard. ➤



### Specifications:

Width	1400 mm
Overground	900 mm
Underground	300 mm



**HARTECAST**  
Street Furniture