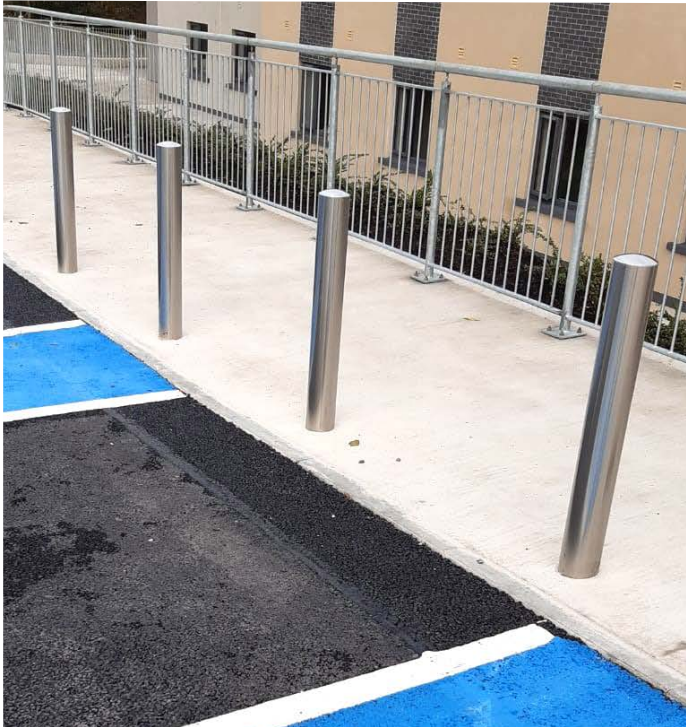


HC2063 BOLLARD



➤ **HC2063 Bollard**

Specifications:

- Stainless steel bollard with semi dome top.
- 316 grade stainless steel.
- Pipe is 114 mm dia with a 3mm thickness.
- 900 mm over ground level and 300 mm underground level.
- Brushed finish.

Fitting:

Fixed bollard is fixed underground level in concrete, removable bollard comes complete with retention socket.

Concrete Foundations:

Fixed bollard: 500 x 500 x 300 mm

Removable bollard: 500 x 500 x 300 mm (*hardcore for drainage is recommended under the socket before the concrete.*)

Options Available:

- Fixed and removable versions available.
- Range of retention sockets available.
- Reflective tape.
- Ram Raid.
- Other length available on request.
- Base plates available to surface fix.
- Matches HC2089 cycle stand. ➤

Specifications:

Pipe (Dia)	114 mm
Wall Thickness	3 mm
Overground	900 mm
Underground	300 mm

BOLLARD RANGE



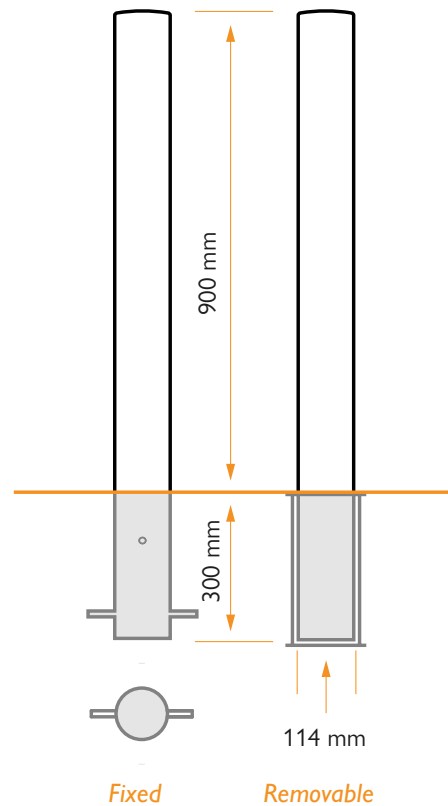
➤ **Reflective strip**



➤ **HC114F Ductile Iron Retention Socket**



➤ **HC114R Stainless Steel Retention Socket**



HARTECAST
Street Furniture