

HC2033B BENCH

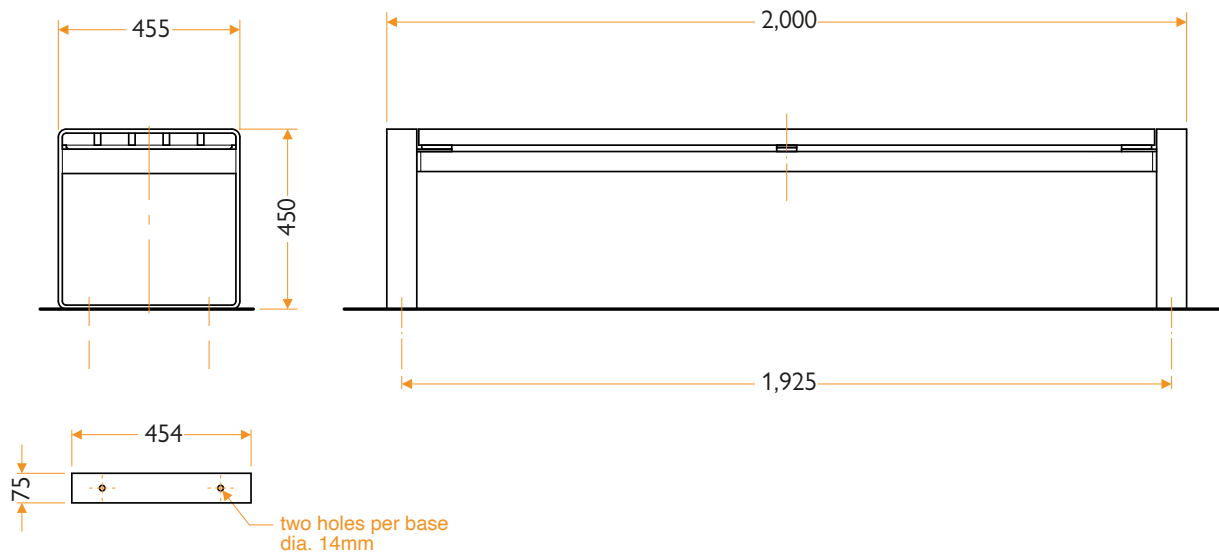


➤ **HC2033B Bench**

SEAT RANGE



➤ **Colour Options**



Specifications:

- Polyester powder coated stainless steel & timber bench
- Timber slats are 70 x 40 mm and 90 x 40 mm
- Standard Length – 2000 mm
- Width – 455 mm
- Seating Height – 450 mm above ground level.
- Surface mounted.

Fitting:

Surface Mounted: the supports have 2 fixing points.

Concrete Foundations:

Recommended concrete foundation 2300 x 800 x 150 mm.

Options Available:

- Sikkins wood stain can be light oak or dark teak.
- Recycled composite timber.
- Colours.
- Arm Rests.
- Longer Lengths.
- Also available in a Seat version with back support see HC2033S Seat. ➤

Specifications:

Length	2000 mm
Width	455 mm
Seating Height	450 mm



HARTECAST
Street Furniture