

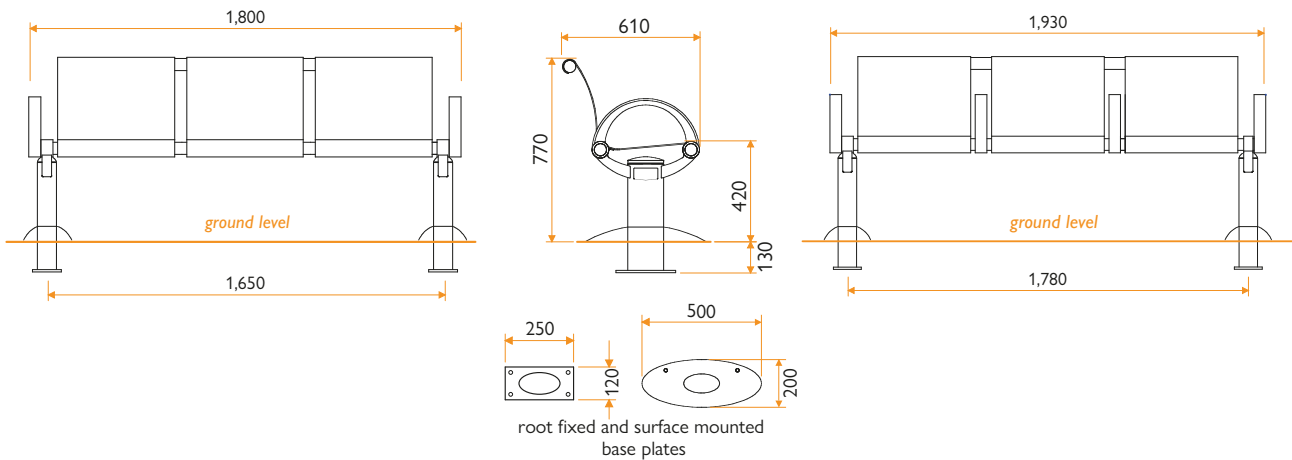
HC2031S & HC2032S SEAT

SEAT RANGE



➤ **HC2031S Seat**

➤ **HC2032S Seat** – 3 Seater with dividing arms



Specifications:

- Stainless steel seat with laser cut perforations and cast ductile iron supports and arm rests.
- Length 1800 mm / 1930 mm.
- Supports and arm rests are manufactured from 10 mm cast ductile iron, which is more durable than cast iron.
- The ductile iron components are galvanised with polyester powder coat finish, see our colour options. ➤
- Seat is manufactured from 4mm thick stainless steel. Seat, Back and frame are 316 grade stainless steel in an electro-polished finish (corrosion and salt water resistant)
- Fixtures and fittings are stainless steel.
- Extremely vandal resistant and maintenance free.

Fitting:

Surface Mounted: There are 2 fixing points on each support.

Root Fixed: The root fixing is a base plate, 130 mm underground level with 4 fixing points on each support.

Concrete Foundations:

Recommended concrete foundation 2000 x 800 x 150 mm.

Options Available:

- Colours
- Extra Dividing arm rests Ref HC2032S – 3 Seater.
- Supports can be root fixed or surface mounted.
- 4 Seater Version available see HC2032S – 4 Seater. ➤
- Available in a Bench Version without back support see HC2031B/HC2032B Bench. ➤

HC2031S Seat Specifications:

Length	1800 mm
Width	610 mm
Seating Height	420 mm
Overall Height	770 mm

HC2032S Seat Specifications:

Length	1930 mm
Width	610 mm
Seating Height	420 mm
Overall Height	770 mm



HARTECAST
Street Furniture