

HC2028S SEAT

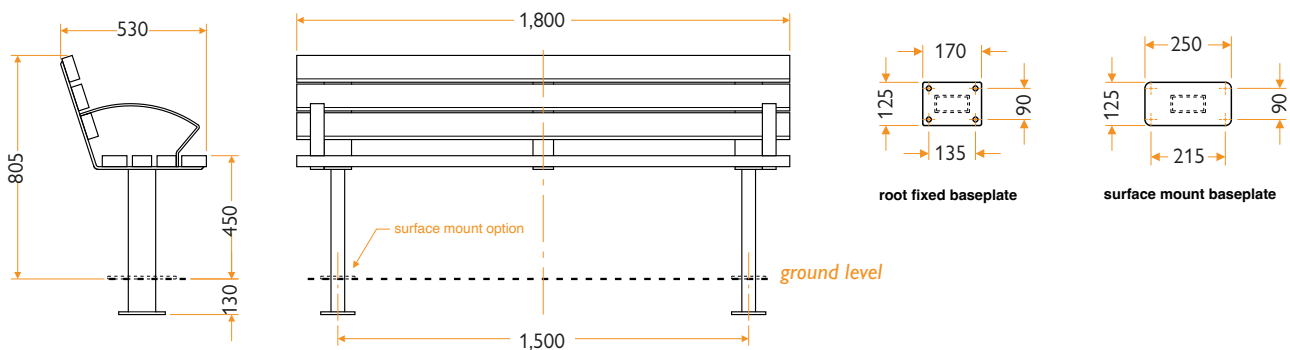


HC2028S Seat

SEAT RANGE



Colour Options



Specifications:

- Polyester powder coated stainless steel & timber seat with back support and side arm rests.
- Timber slats are 70 x 40 mm and 90 x 40 mm.
- Standard Length – 1800 mm.
- Width – 530 mm.

Fitting:

Surface mounted: Supports are fitted with a stainless steel base plate with 4 fixing points.

Root Fixed: Root fixing is a base plate 130 mm underground level with 4 fixing points on each support.

Concrete Foundations:

Recommended concrete foundation 2000 x 800 x 150 mm.

Options Available:

- Sikkins wood stain can be light oak or dark teak.
- Recycled composite timber.
- Supports can be root fixed or surface mounted.
- Colours.
- Longer Lengths available.
- Curved version available see HC2028CS.
- Also available in a Bench version without back support see HC2028B Bench.

Specifications:

Length	1800 mm
Width	530 mm
Seat Height	450 mm
Overall Height	805 mm



HARTECAST
Street Furniture