

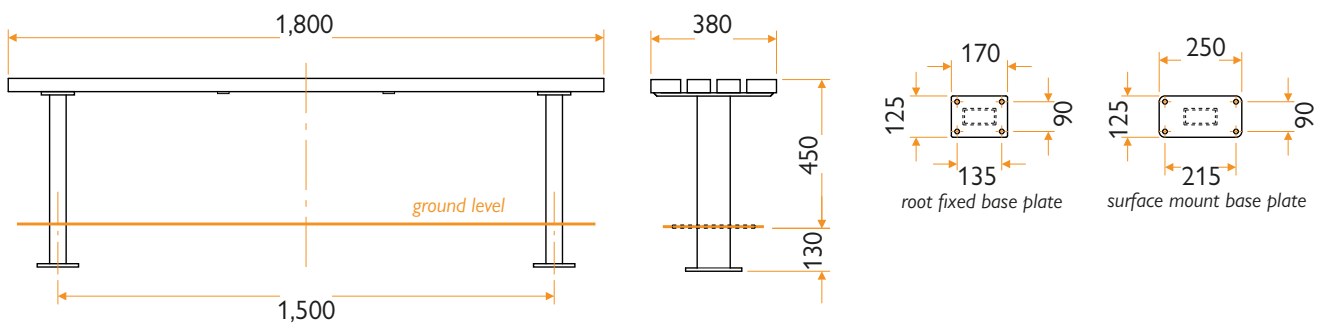
# HC2028B BENCH

## SEAT RANGE



➤ **Colour Options**

➤ **HC2028B Bench**



### Specifications:

- Polyester powder coated stainless steel & timber bench
- Timber slats are 70 x 40 mm and 90 x 40 mm
- Standard Length – 1800 mm
- Width – 380 mm
- Seating Height – 450 mm above ground level.

### Fitting:

**Surface Mounted:** Supports are fitted with a stainless steel base plate with 4 fixing points.

**Root Fixed:** Root fixing is a base plate 130mm under ground level with 4 fixing points on each support.

### Concrete Foundations:

Recommended concrete foundation 2000 x 800 x 150 mm.

### Options Available:

- Sikkins wood stain can be light oak or dark teak.
- Recycled composite timber.
- Supports can be root fixed or surface mounted.
- Colours.
- Longer Lengths available
- Curved version available see HC2028CB. ➤
- Also available in a Seat version with back support see HC2028S Seat. ➤

### Specifications:

Length	1800 mm
Width	380 mm
Height	450 mm



**HARTECAST**  
Street Furniture