

# HC2026B BENCH

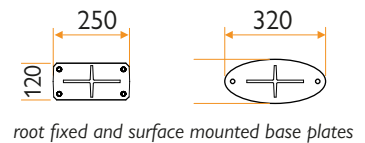
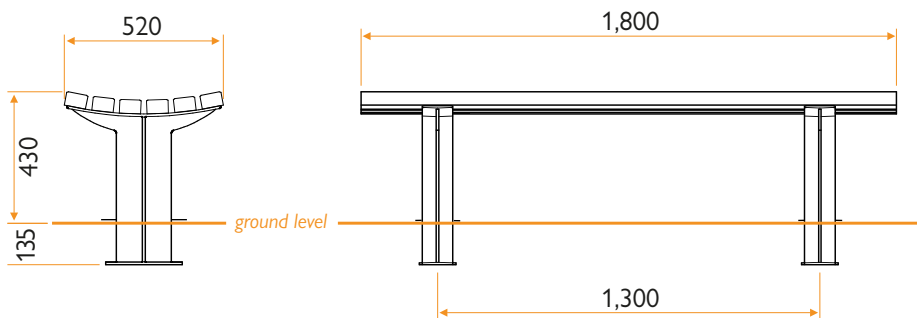


➤ **HC2026B Bench**

## SEAT RANGE



➤ **Colour Options**



### Specifications:

- Timber and cast ductile iron bench.
- Length 1800 mm.
- Supports are manufactured from 10 mm cast ductile iron which is more durable than cast iron.
- The ductile iron components are galvanised with polyester powder coat finish, see our colour options. ➤
- Timber slats are 70 x 40 mm FSC approved mahogany treated with a protective wood stain coating.
- Fixtures and fittings are stainless steel.

### Fitting:

**Surface Mounted:** here are 2 fixing points on each support.

**Root Fixed:** The root fixing is a base plate 130 mm underground level with 4 fixing points on each support.

### Concrete Foundations:

Recommended concrete foundation 2000 x 800 x 150 mm.

### Options Available:

- Sikkins wood stain can be light oak or dark teak.
- Recycled composite timber.
- Colours.
- Supports can be root fixed or surface mounted
- Also available in various lengths.
- Also available with back support see HC2026S Seat. ➤

### Specifications:

Length	1800 mm
Width	520 mm
Seating Height	430 mm



**HARTECAST**  
Street Furniture