

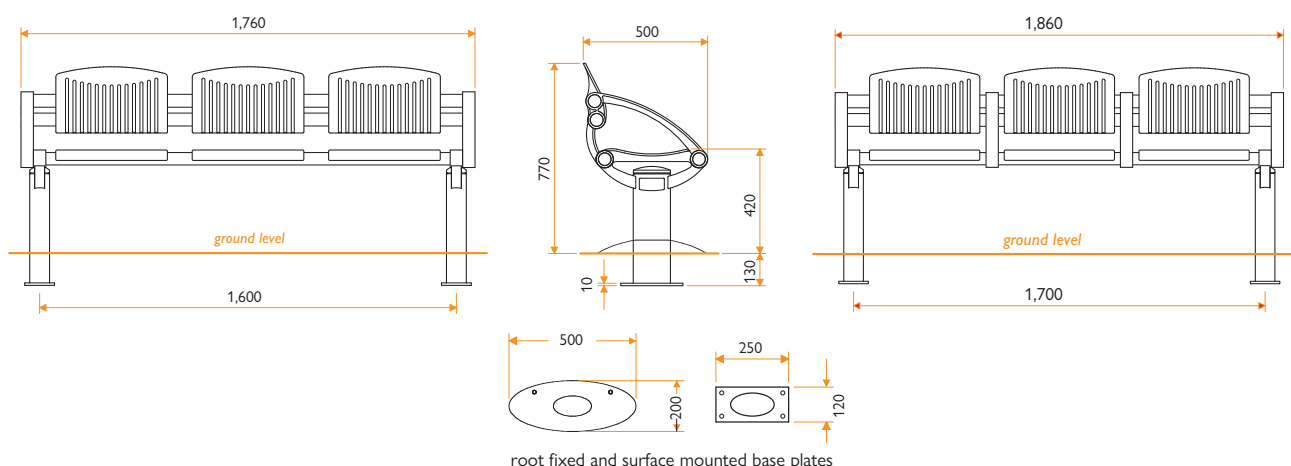
HC2020S / HC2021S Seat

SEAT RANGE



➤ **HC2020S Seat**

➤ **HC2021S Seat** with extra dividing arms



Specifications:

- Cast ductile iron seat with stainless steel frame and back support with side arm rests.
- HC2020S length is 1760mm, HC2021S length is 1860mm.
- Supports, arm rests, seats and backs are manufactured from 10mm cast ductile iron, which is more durable than cast iron.
- The ductile iron components are galvanised with polyester powder coat finish, see our colour options. ➤
- The tubing is 316 grade stainless steel in an electro-polished finish (corrosion and salt water resistant).
- Fixtures and fittings are anti tamper stainless steel.
- Extremely vandal resistant and maintenance free.

Fitting:

Surface Mounted: There are 2 fixing points on each support.

Root Fixed: The root fixing is a base plate 130 mm underground level with 4 fixing points on each support.

Concrete Foundations:

Recommended concrete foundation 2000 x 800 x 150 mm.

Options Available:

- Colours.
- Extra Dividing arm rests Ref HC2021S.
- Supports can be root fixed or surface mounted.
- Available in a Bench version without back support see HC2020B/HC2021B Bench. ➤
- 4, 6 and 8 Seater Versions available see HC2022S. ➤

HC2020S Specifications:

Length	1760 mm
Width	500 mm
Seating Height	420 mm
Overall Height	770 mm

HC2021S Specifications:

Length	1860 mm
Width	500 mm
Seating Height	420 mm
Overall Height	770 mm



HARTECAST
Street Furniture