

NEW

HC2100 BOLLARD RANGE

HC2100 Bollard - Seriously Heavy Duty



HC2100 Ductile Iron Bollard Product Specifications:

- Cast ductile iron bollard with cast stainless steel centre cap.
- Oval shape at the top 114x160mm tapering down to a round shape at the base 114mm dia.
- Ram Raid with an impressive 12mm wall thickness – seriously heavy duty.
- 1000mm overground level and 250mm underground level.
- Fully galvanised with powder coat finish, as we manufacture all our products in house we can arrange any colour combination you require, see our colour palette section.
- Fixed and removable versions with retention sockets available.

Fitting: Fixed bollard is fixed underground level in concrete, removable bollard comes complete with cast iron retention socket.

Concrete Foundations:

Fixed Bollard: 500 x 500 x 300mm.

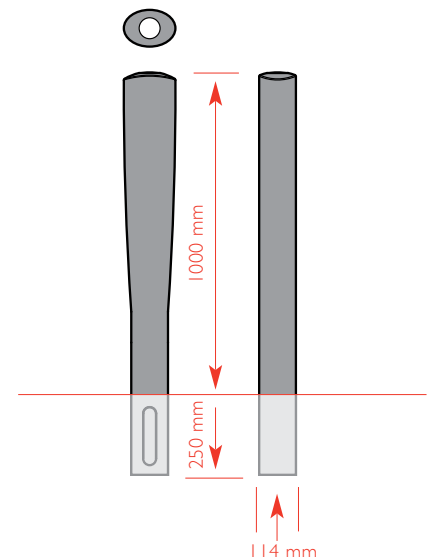
Removable Bollard: 500 x 500 x 300mm (hardcore for drainage is recommended under the socket before the concrete).

Options Available: Contrasting colour strips available on 2 sides see ref HC2101.

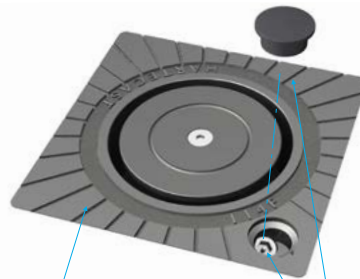
Specifications:

Pipe (Dia) Oval	114 x 160	mm
Pipe (Dia)	114	mm
Wall Thickness	12	mm
Overground	1000	mm
Underground	250	mm
Weight	32	kg

This Hartecast bollard is distinct in its shape, with an Oval Shape at the top (114 x 160 mm) tapering down to a round shape at the base 114 mm Diameter.



HC114R Stainless Steel Retention Socket



HC114F Ductile Iron Retention Socket

HC2101 Bollard with Strip



HC2101 Ductile Iron Bollard Product Specifications:

- Cast ductile iron bollard with cast stainless steel insert with contrasting colour strips on 2 sides.
- Oval shape at the top 114x160mm tapering down to a round shape at the base 114mm dia.
- Ram Raid with an impressive 12mm wall thickness – seriously heavy duty.
- 1000mm overground level and 250mm underground level.
- Fully galvanised with powder coat finish, as we manufacture all our products in house we can arrange any colour combination you require, see our colour palette section.
- Fixed and removable versions with retention sockets available.

Fitting: Fixed bollard is fixed underground level in concrete, removable bollard comes complete with cast iron retention socket.

Concrete Foundations:

Fixed Bollard: 500 x 500 x 300mm.

Removable Bollard: 500 x 500 x 300mm (hardcore for drainage is recommended under the socket before the concrete).

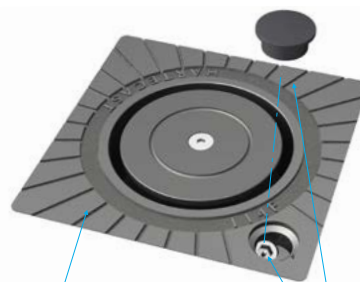
Specifications:

Pipe (Dia) Oval	114 x 160	mm
Pipe (Dia)	114	mm
Wall Thickness	12	mm
Overground	1000	mm
Underground	250	mm
Weight	32	kg

This Hartecast bollard is distinct in its shape, with an Oval Shape at the top (114 x 160 mm) tapering down to a round shape at the base 114 mm Diameter.



HC114R Stainless Steel Retention Socket



HC114F Ductile Iron Retention Socket

