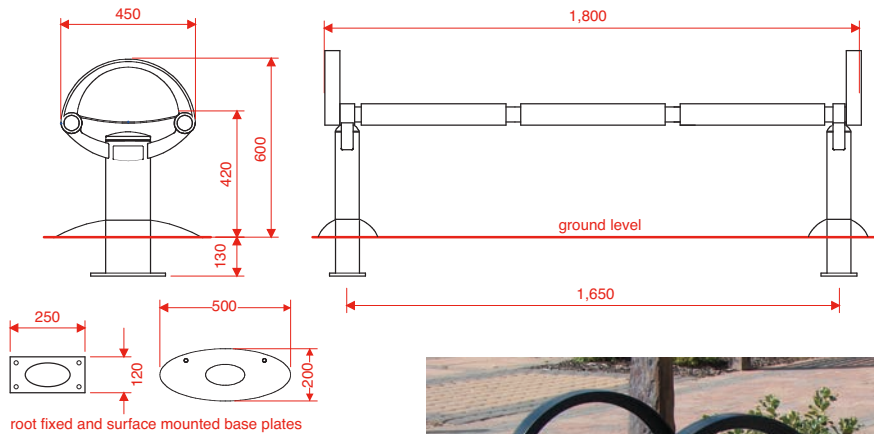


HC2031B Bench Length: 1800 mm (Surface Mounted)



root fixed and surface mounted base plates

HC2031B Bench Product Specifications:

- Stainless steel bench with laser cut perforations and cast ductile iron supports and arm rests without back support.
- Length 1800mm.
- Supports and arm rests are manufactured from 10mm cast ductile iron, which is more durable than cast iron.
- The ductile iron components are galvanised with powder coat finish, as we manufacture all our products in house we can arrange any colour combination you require, see our colour palette section on page 109.
- Seat is manufactured from 4mm stainless steel. Seat and frame are 316 grade stainless steel in an electro- polished finish (corrosion and salt water resistant).
- Fixtures and fittings are stainless steel.
- Supports can be root fixed or surface mounted.
- Extra dividing arms can be added (ref. HC2032B – 3 Seater).
- Extremely vandal resistant and maintenance free.

Fitting: *Surface Mounted:* There are 2 fixing points on each support. *Root Fixed:* The root fixing is a base plate 130mm underground level with 4 fixing points on each support.

Concrete Foundations: Recommended concrete foundation 2000 x 800 x 150mm.

Options Available: Also available without arm rests if required.



HC2032B Bench

Length: 3 Seater 1930 mm (Surface Mounted)

