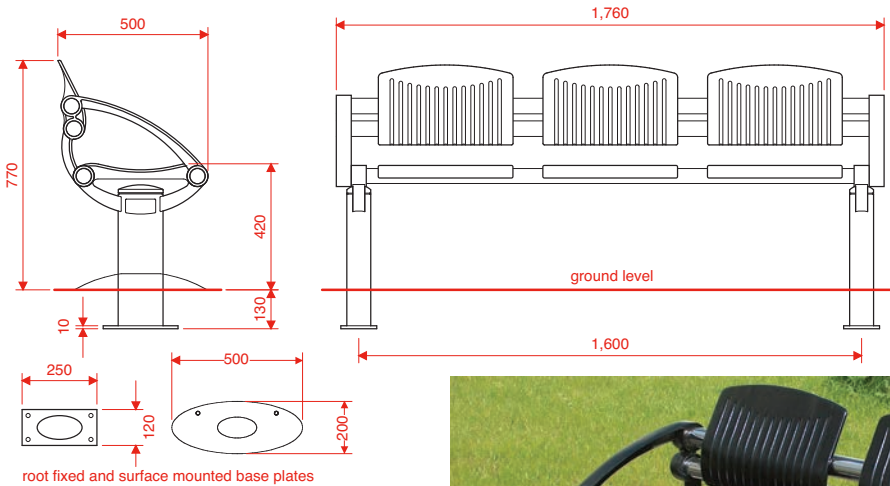


HC2020 RANGE

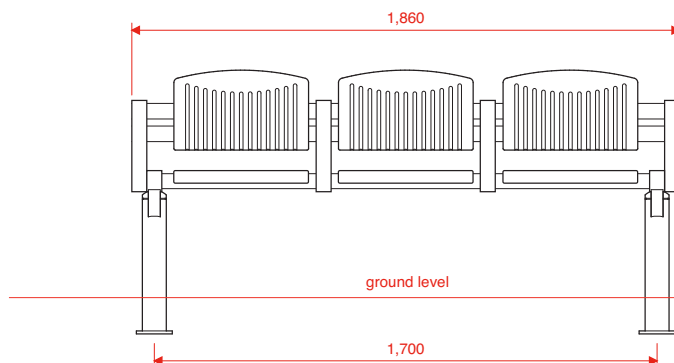
HC2020S Seat 3 Seater Length: 1760 mm (Surface Mounted)



root fixed and surface mounted base plates

HC2021S Seat

3 Seater Length: 1860 mm (Root Fixed)



HC2020S and HC2021S Product Specifications:

- Cast ductile iron seat with stainless steel frame and back support with side arm rests.
- HC2020S length is 1760mm, HC2021S length is 1860mm.
- Supports, arm rests, seats and backs are manufactured from 10mm cast ductile iron, which is more durable than cast iron.
- The ductile iron components are galvanised with powder coat finish, as we manufacture all our products in house we can arrange any colour combination you require, see our colour palette section on page 109.
- The tubing is 316 grade stainless steel in an electro-polished finish (corrosion and salt water resistant).
- Fixtures and fittings are anti tamper stainless steel.
- Supports can be root fixed or surface mounted.
- Extremely vandal resistant and maintenance free.

Fitting: *Surface Mounted:* There are 2 fixing points on each support. *Root Fixed:* The root fixing is a base plate 130mm underground level with 4 fixing points on each support.

Concrete Foundations: Recommended concrete foundation 2000 x 800 x 150mm.

Options Available:

- Extra dividing arms can be added (ref. HC2021S)